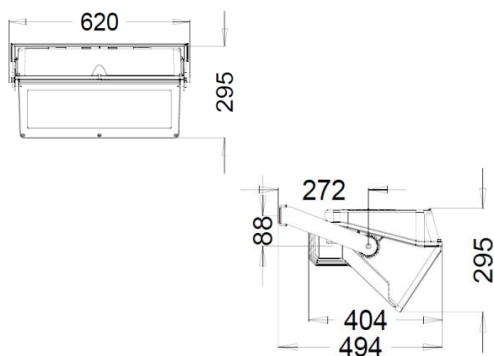


TESEO floodlight – Technical data sheet



DIMENSIONS



Units: mm

ELETRICAL SPECIGATIONS

Voltage	220 ÷ 240 V ac
Frequency	50 – 60 Hz
Eletrical safety class	Classe II
Power supply efficiency	90%

MECHANICAL FEATURES

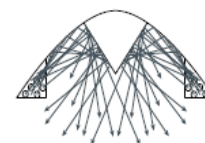
Body	Die-cast aluminium EN 46100
Paint	Resistant to 1000 hours in salt spray
Glass	Extra clear, 4-mm thick
External screws	A2 stainless steel
Total weight	19 kg
Ingress protection	IP 66
Impact resistance	IK07 – 5J
Wind exposed surface	0,174

OPTICAL FEATURES

Total reflection patent	1395290
LED	PHILIPS LUMILEDS LUXEON M PHILIPS LUMILEDS LUXEON TX
Photobiological safety	Exempt group

INTERNATIONAL PATENT

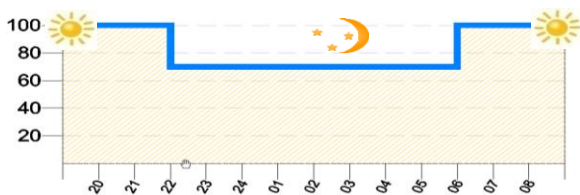
The **international total reflection** involves the usage of reflector that captures and blends the light emission through the initial optical assembly and then uses a second assembly to cast it uniformly. Applied in its standard form above all for street lighting, it delivers visual comfort and uniform lighting, without creating dark spots or glare.



PROPRIETARY SURGE PROTECTOR

Arianna has studied a system able to protect the fixtures against overvoltage by inserting a proprietary device between the power supply and the LED modules. R&D laboratory have shown that the system is protected against overvoltage up to 4kVolt. The excellent operation of the LED and power supply protection implies a guarantee of security and continuity in the use of the system even in the event of over-voltage.

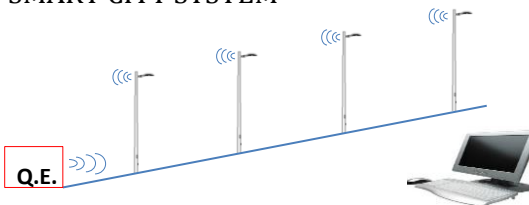
AUTODIMMING DEVICE



TESEO uses power supplies that apply a special algorithm to allow lumen output and power consumption to be reduced during the middle of the night. This reduction is applied in the middle of the operating period.

The technology employed also allows different adjustment profiles to be set so that energy saving can be adapted to suit lighting requirements.

SMART CITY SYSTEM



TITLIS has been designed to be integrated in light output management system. Each fitting features a dimmable electronic driver that can interface with a module designed to control the drivers' power supply and, consequently, the intensity of the luminaire's light output. This system also allows the street light to be incorporated into a local communication network, making it part of a smart system for the provision of integrated public utility and security services.



IP66

IK07



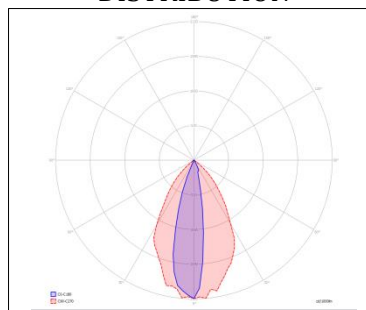
Visit www.ariannaed.com for the complete list of certified products.

Flux and power data are corresponding to typical values referring to ambient temperature (Ta) equal to 25°C or 77° F with a tolerance of ±10%.

Arianna spa via dell'Industria 14 - 35020 Brugine (PD) t +39 049 7389920 f +39 049 7389924

info@ariannaed.com/www.ariannaed.com P.I. 04387780283 società soggetta ad attività di direzione e coordinamento di Carel S.p.A.

LIGHTING DISTRIBUTION



TYPE A

Model	n.LED	Flux @ 4000K <i>Lm</i>	CRI	Power <i>W</i>	Efficacy <i>lm/W</i>
45 watt	20	4060	70	44	104
75 watt	35	7105	70	77	104
105 watt	50	10150	70	110	104
135 watt	16	14076	70	135	104
170 watt	20	17594	70	170	103
205 watt	24	21114	70	205	103

Visit www.ariannaled.com for the complete list of certified products.

Flux and power data are corresponding to typical values referring to ambient temperature (Ta) equal to 25°C or 77° F with a tolerance of ±10%.